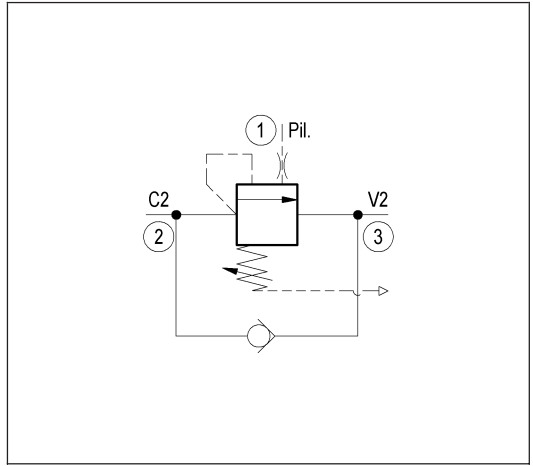
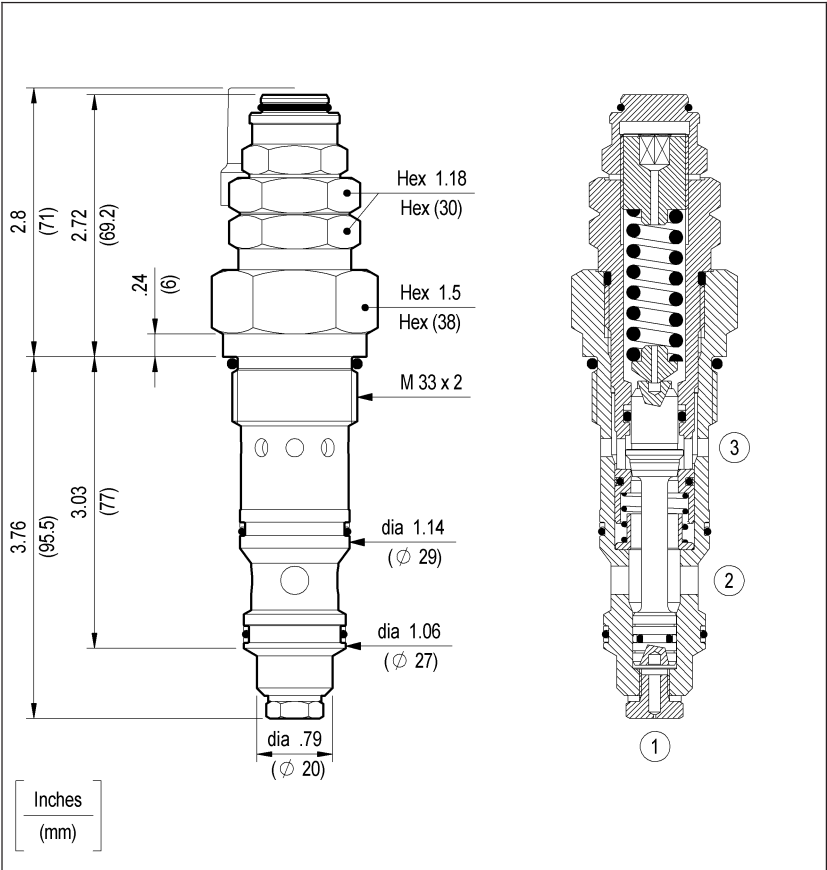


**COUNTERBALANCE, VENTED GUIDED POPPET TYPE  
SPECIAL CAVITY**



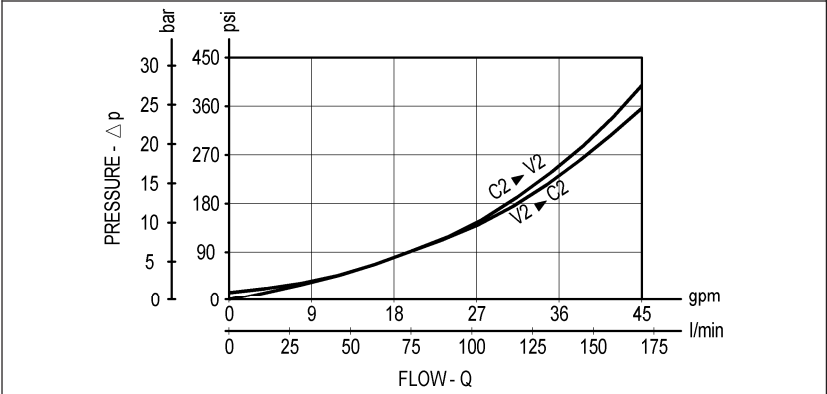
**VBSO-SEC-CCAP-33**

**04.59.03 - X - 99 - Z**



TECHNICAL DATA	
Max. pressure:	5000 psi (350 bar)
Max. flow:	45 gpm (170 l/min)
Special cavity :	CC063A-01 (see page CT.S.005.U)
Installation torque :	148-167 ft-lb (200-225 Nm)
Weight:	1.477 lbs (0.670 Kg)
Pressure setting: at least 1.3 times the load induced pressure	

When pressure at 3 rises above the spring bias pressure, the check seat is pushed away from the piston and flow is allowed from 3 to 2. When load pressure at 2 rises above the pressure setting, the direct-acting, relief function is activated and flow is relieved from 2 to 3. With pilot pressure at 1, the pressure setting is reduced in proportion to the stated ratio of the valve, until fully open with free-flow from 2 to 3. The spring chamber is vented to atmosphere allowing operation of all functions independent of back-pressure at 3.



X	PILOT RATIO
03	4.2 : 1
65	8 : 1

Z		SPRINGS		
		Adj. press. range psi (bar)	Press. increase psi / turn (bar/turn)	Standard setting psi (bar) (Q=5 l/min)
X = 03	35	1450-5000 (100-350)	1595 (110)	5000 (350)
	10	725-3000 (50-210)	870 (60)	1450 (100)
X = 65	35	1450-5000 (100-350)	2915 (201)	5000 (350)

OPTIONS	
Ordering code	Description
11.04.30.001	 Tamper resistant cap
Special settings available. Contact factory authorized representative for ordering code.	